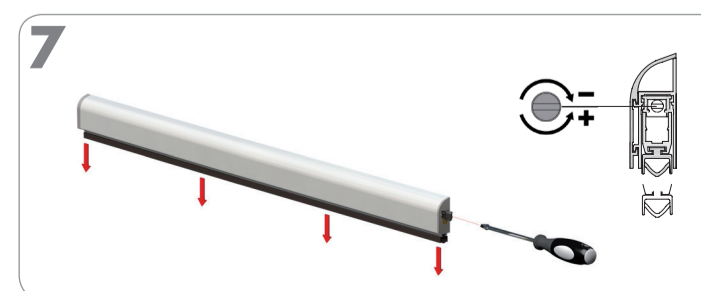
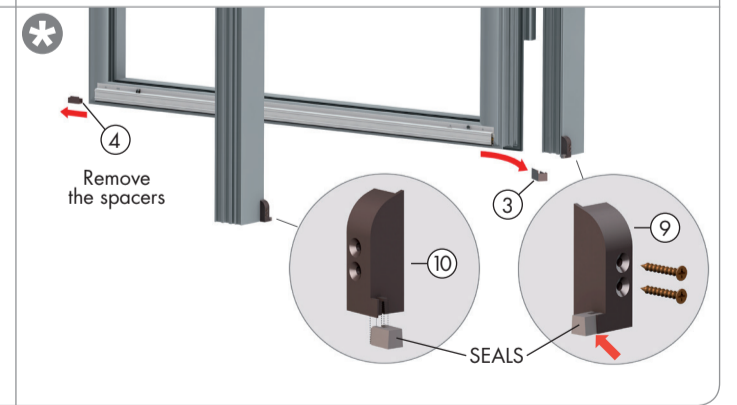
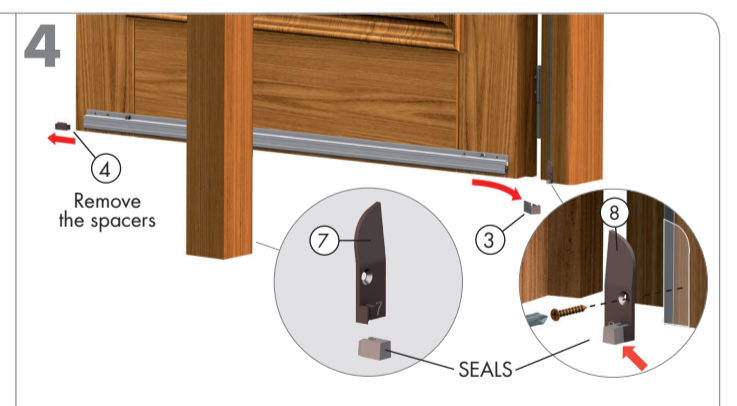
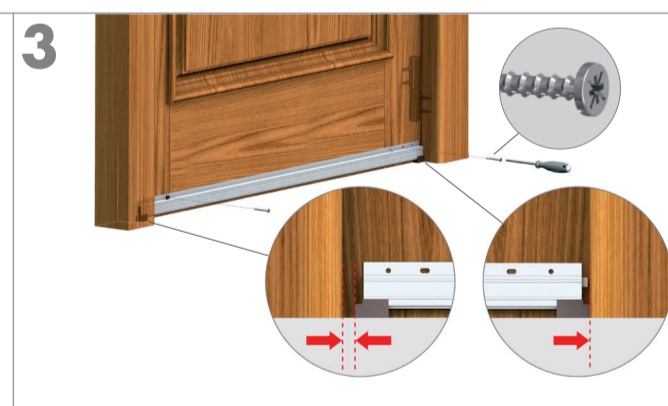
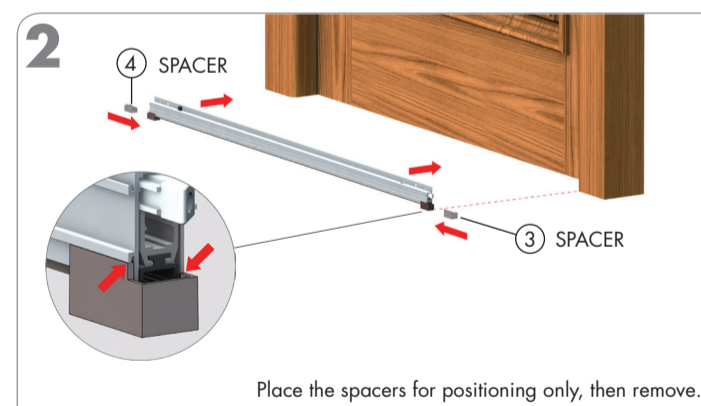
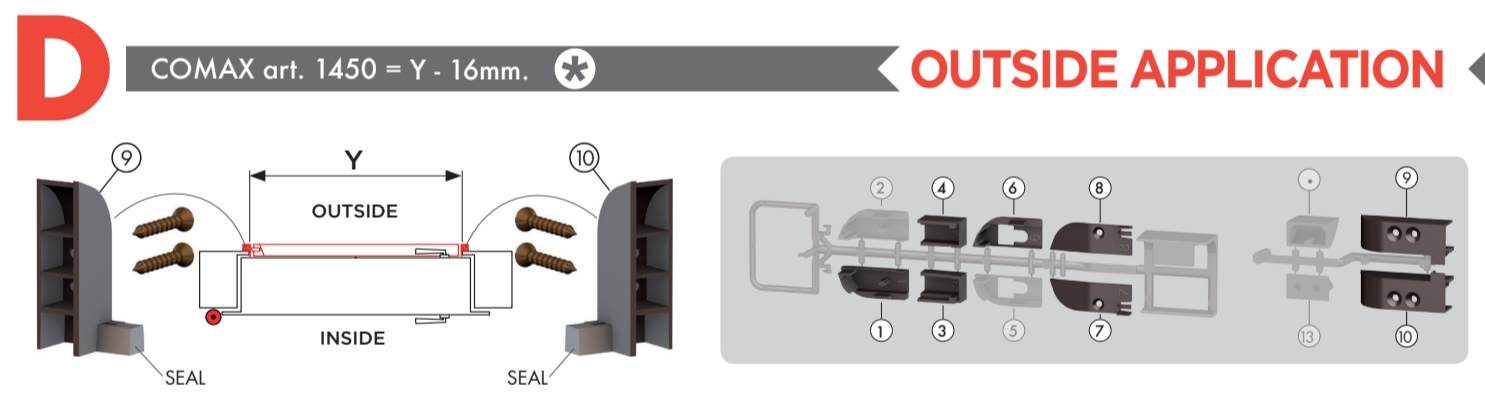
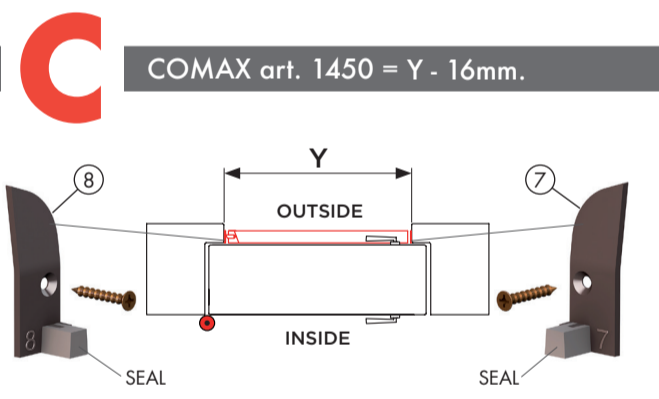
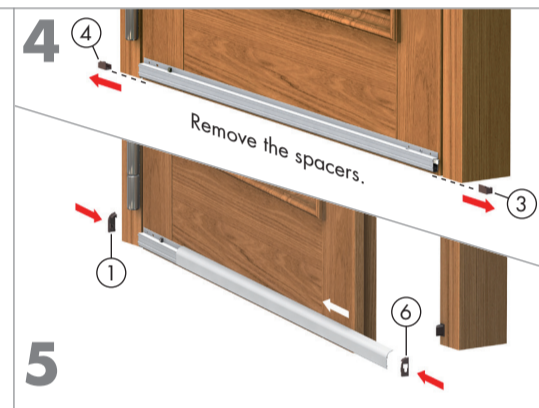
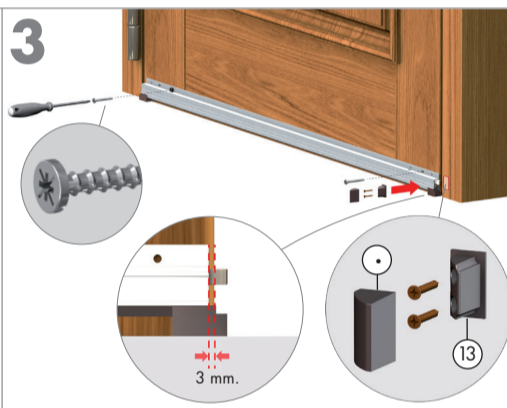
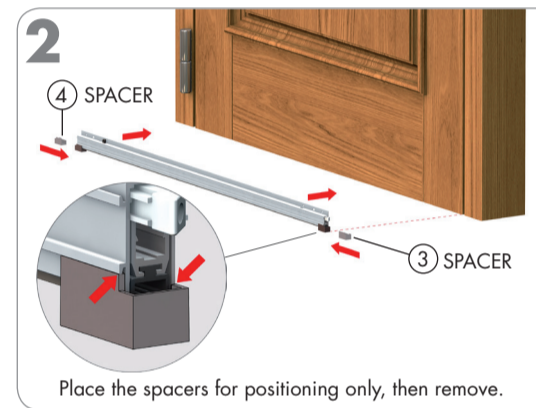
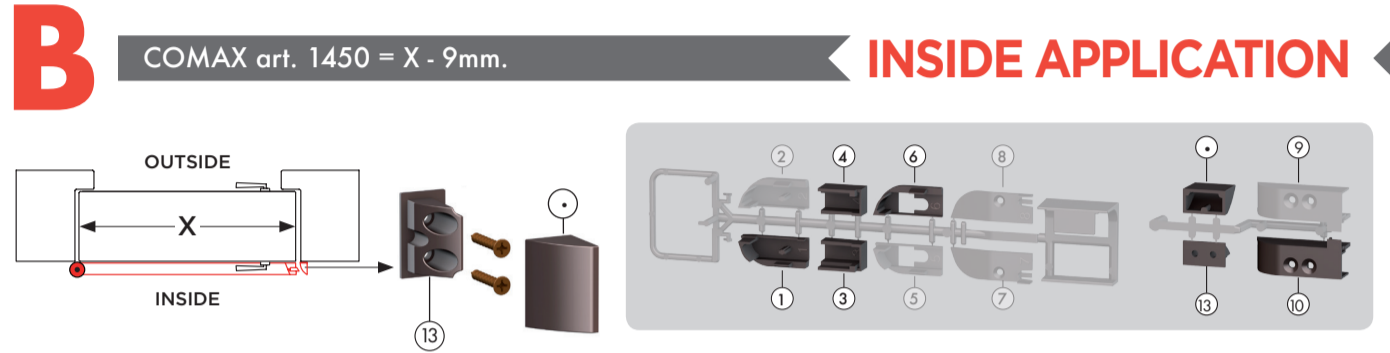
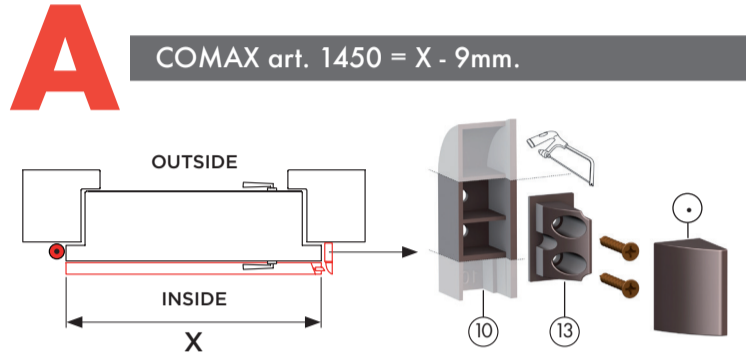
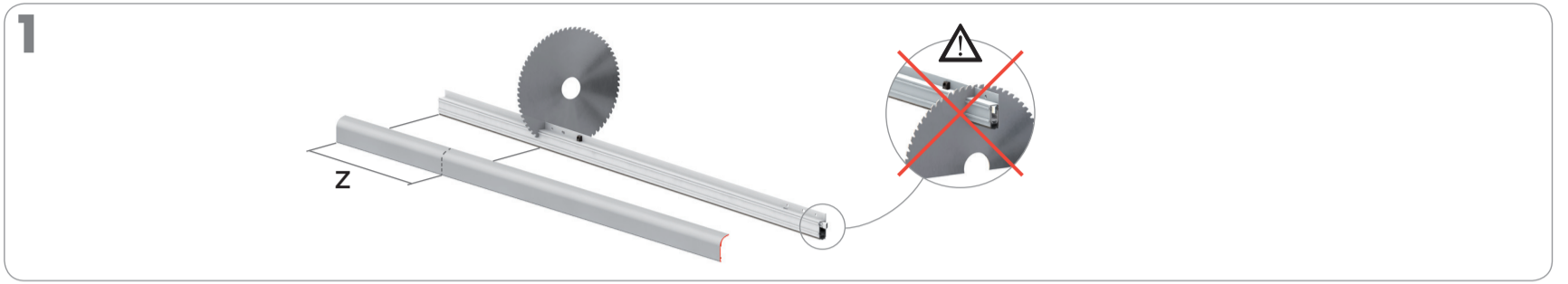
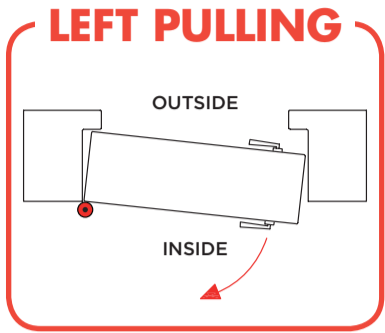
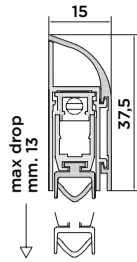


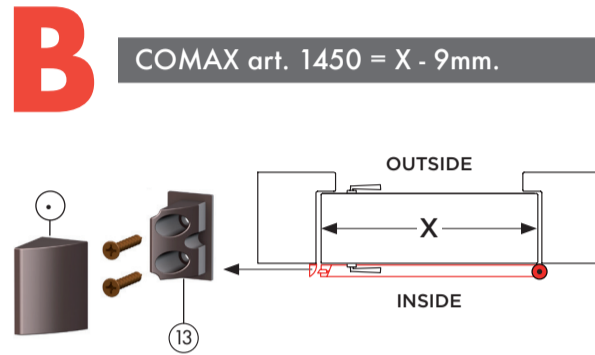
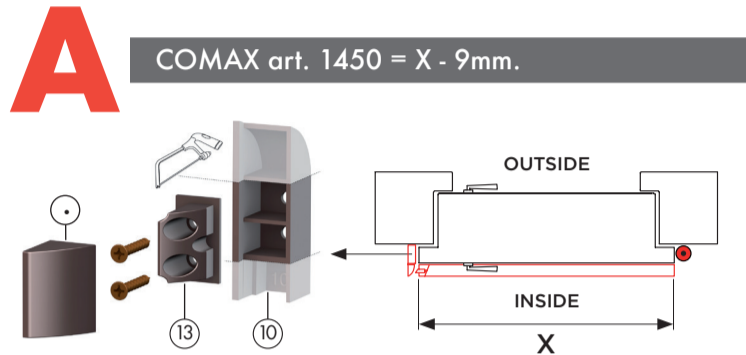
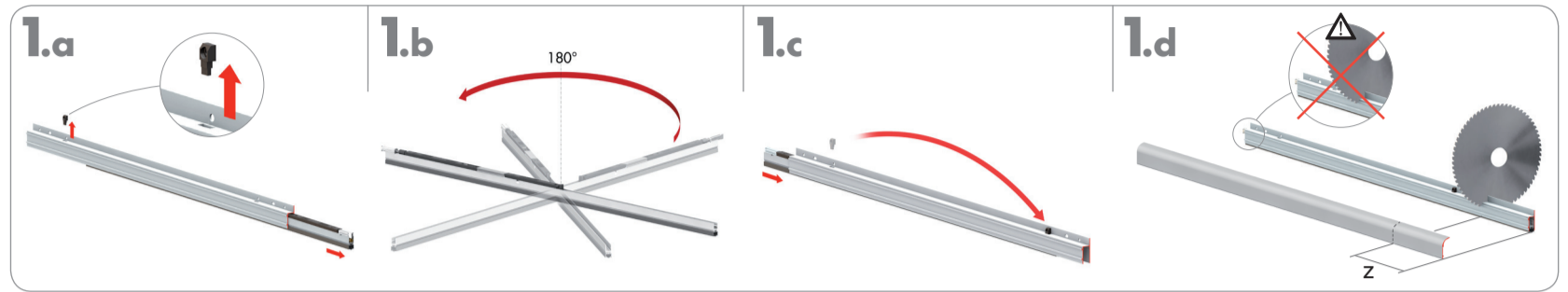
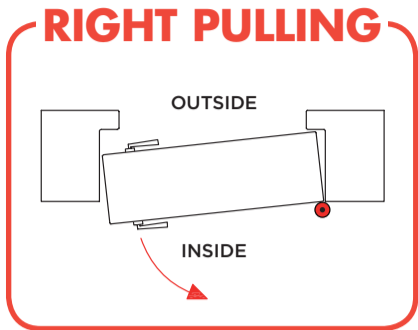
STANDARD SIZE (mm)	330	430	530	630	730	830	930	1030	1130	1230	1330
max Z (mm)	70	130	200	200	200	200	200	200	200	200	200



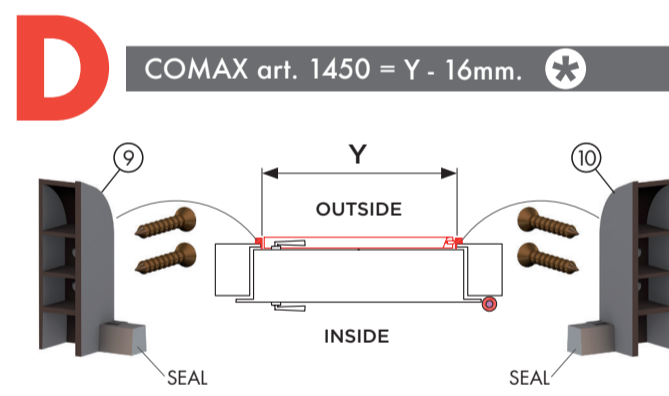
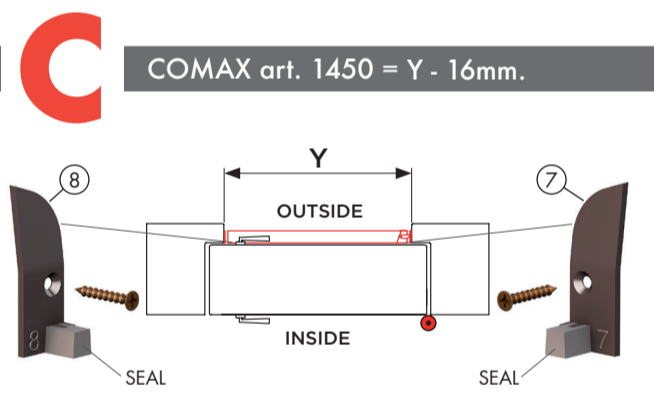
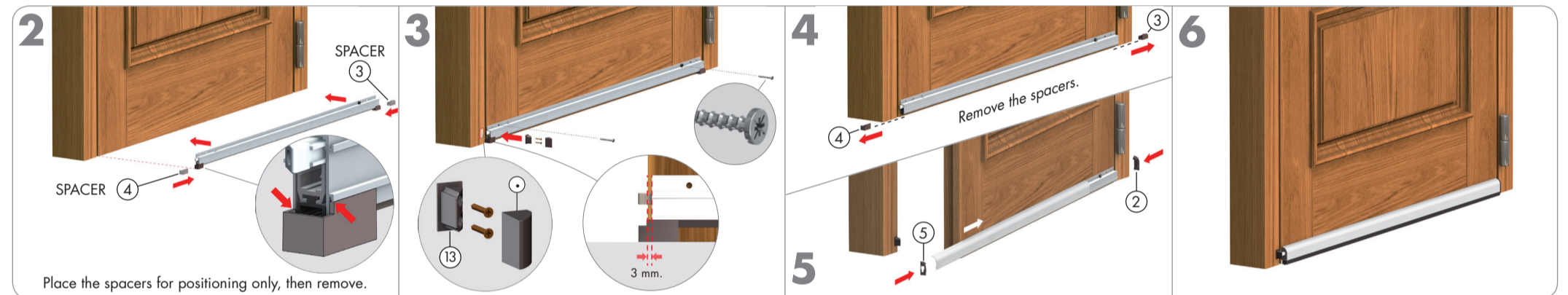
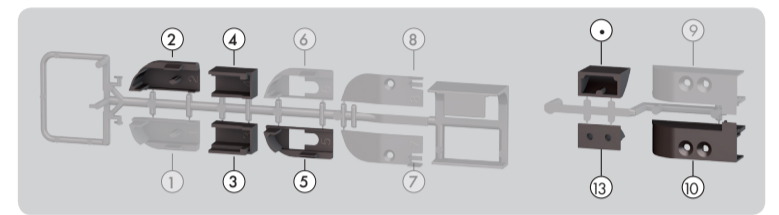


STANDARD SIZE (mm)	330	430	530	630	730	830	930	1030	1130	1230	1330
max Z (mm)	70	130	200	200	200	200	200	200	200	200	200

TOOLS REQUIRED



INSIDE APPLICATION



OUTSIDE APPLICATION

